

Run Archery



DO IT YOURSELF
"Trestle-type" Dropdown targets

SPECIFICATIONS:

Less than 10 kg.

Foldable for transport and storage

Interchangeable heads by pin system.

Economic model.

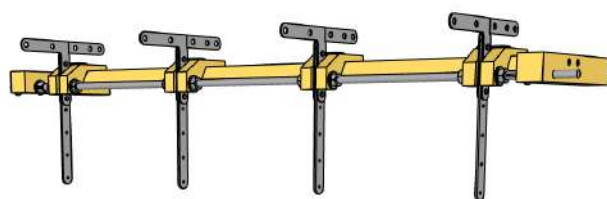


Possible use for animation with wooden trays to pull with low power beginner's bows and rubber tips blunt type.

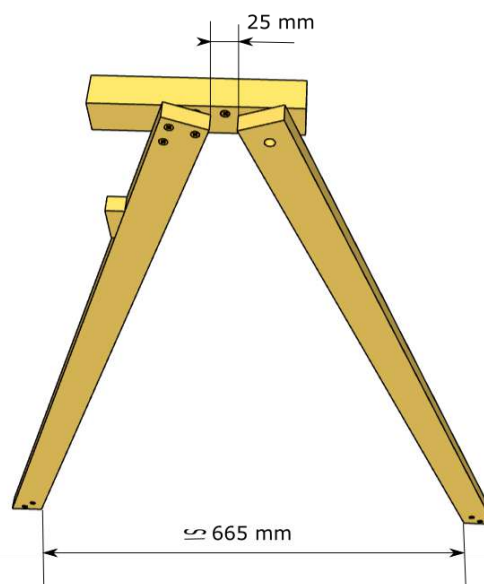


It is reminded that the WA prohibits the shooting of persons or representations of persons. Consider when choosing patterns for your animation trays.

ASSEMBLY ADVICE



1/ Mount all parts around the threaded rod, and fix the bracket of the square guides.

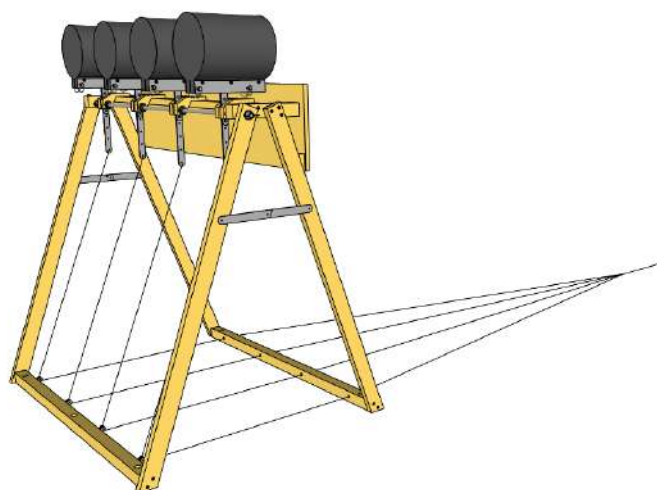
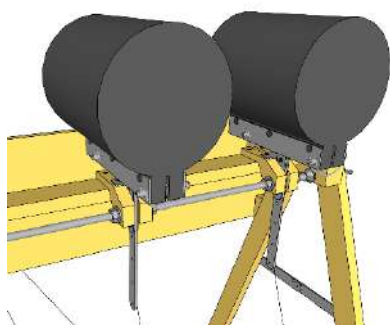
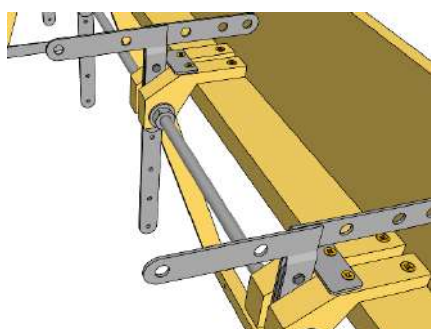


2/ Mount the feet and floor bars (including the rear bar with pulleys)

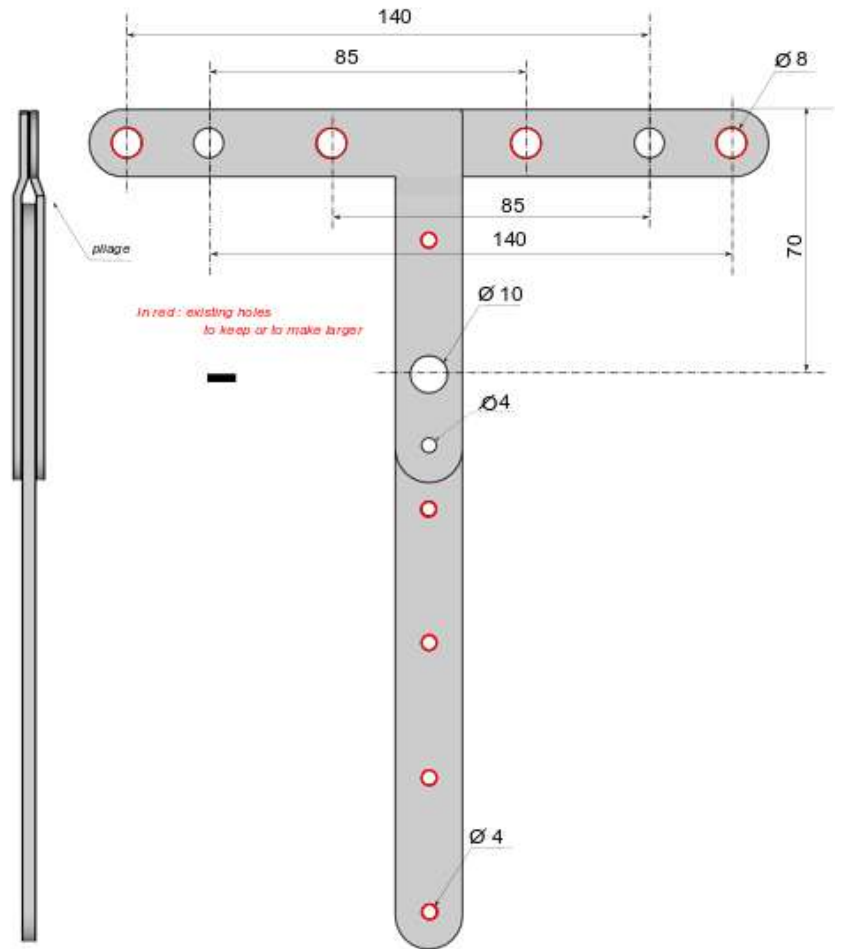
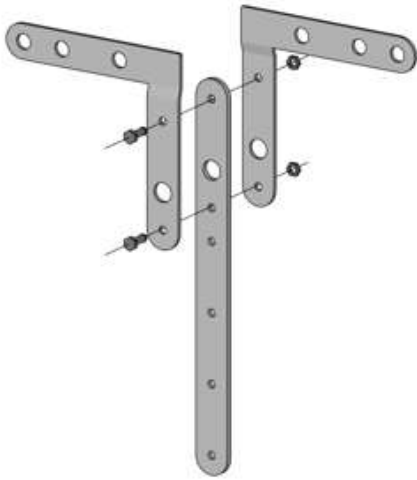
3/ Adjust the spacing and lay the process bars

4/ align the equerries in the raised position with the adjustment pads

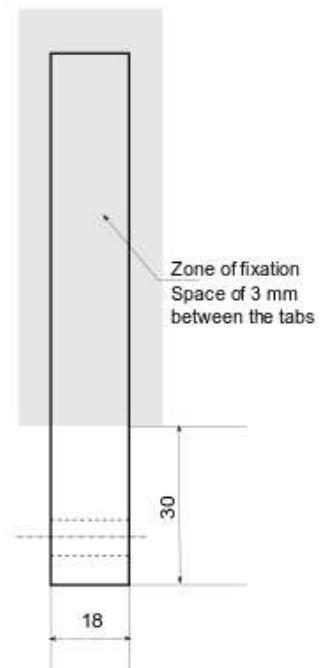
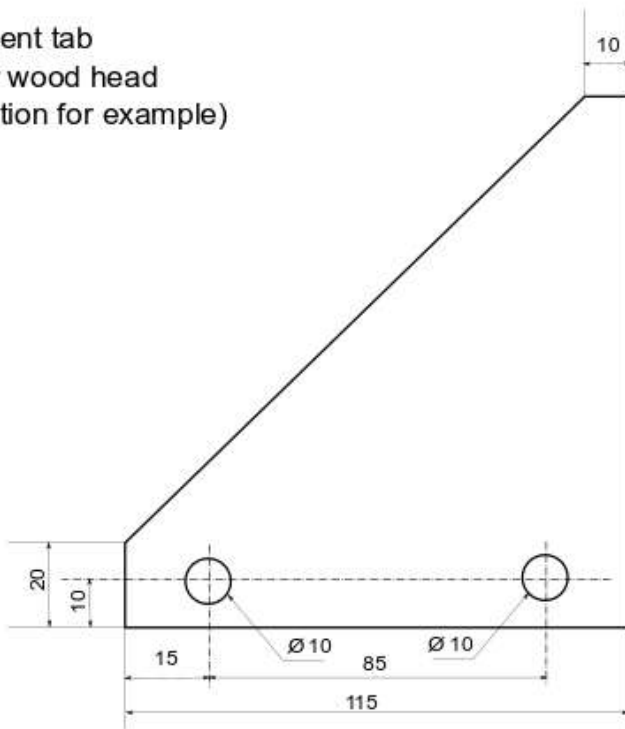
5/ Fix the protective tray



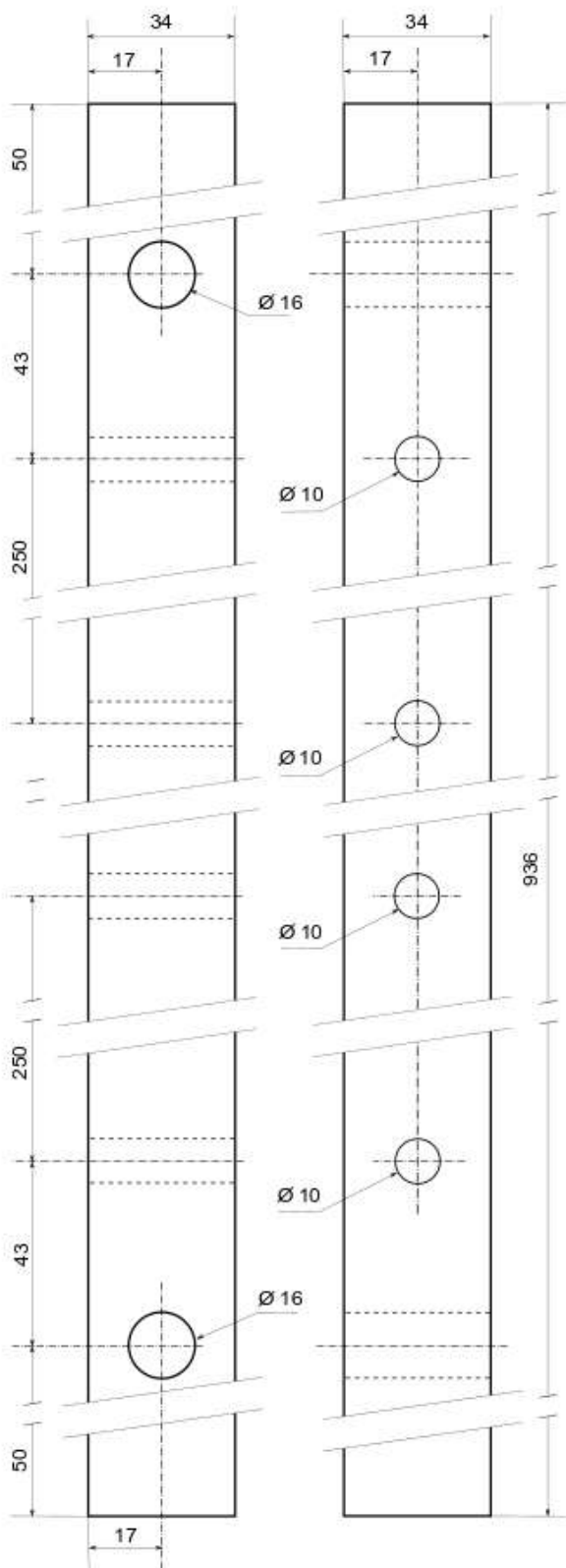
"T" square
x 4



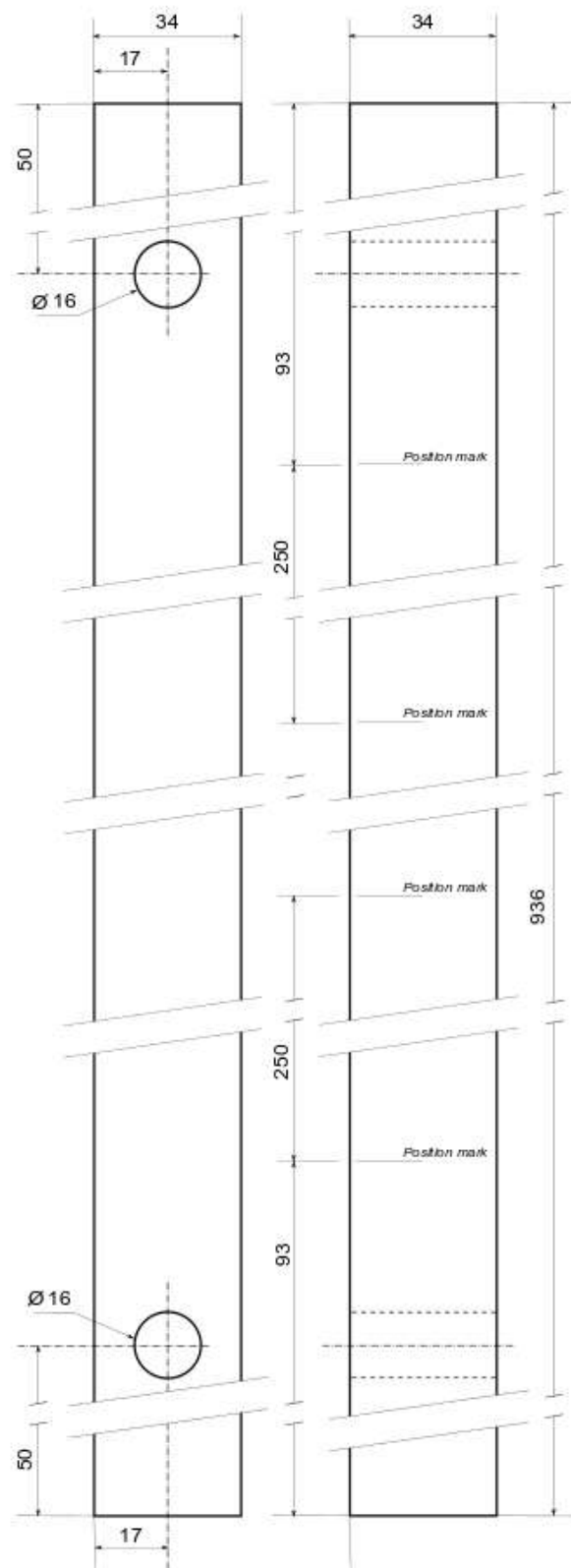
Alignment tab
x 2 per wood head
(animation for example)



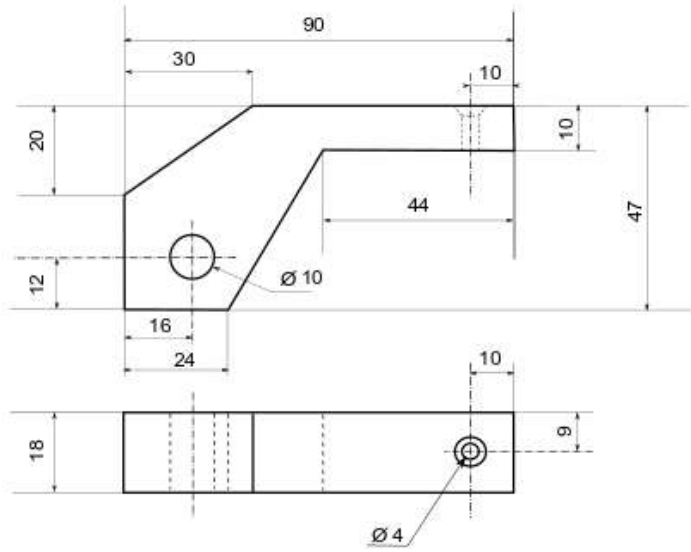
Front ground bar
x1



Rear ground bar
x1

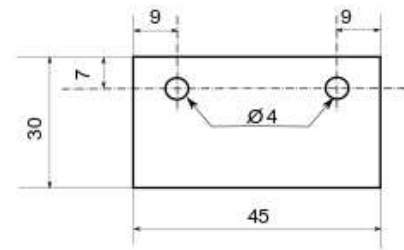


Guide for "T" square
x 8

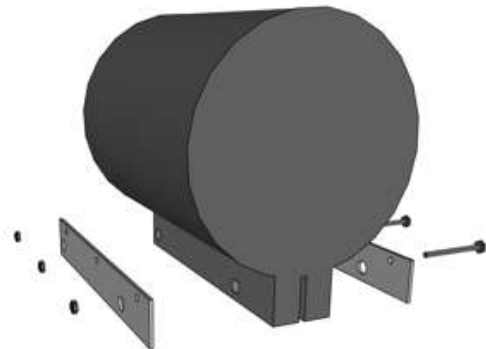


Adjustment's tab
x 4

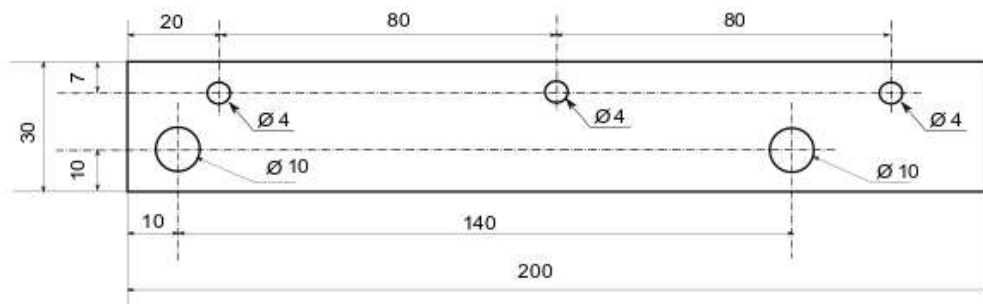
Aluminium thickness 2 mm



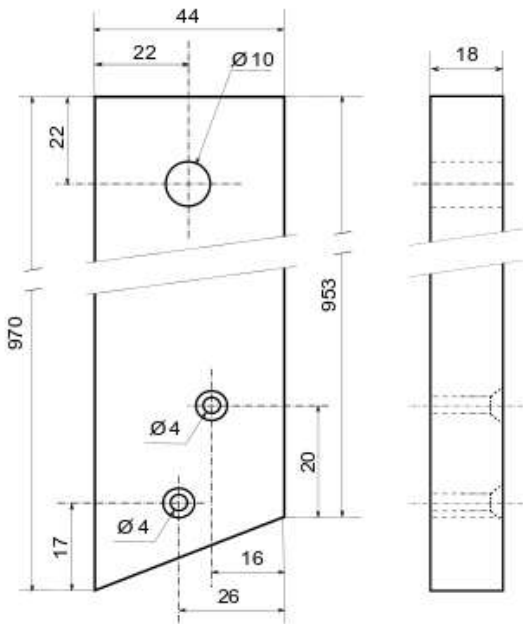
Tab for foam head
x 2 per head



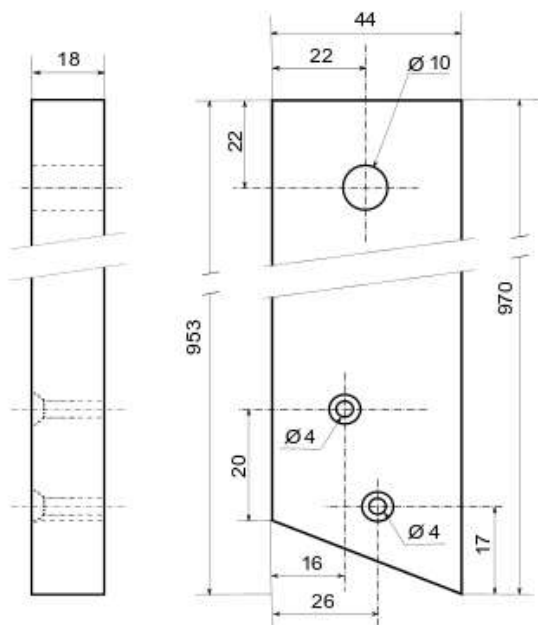
Aluminium thickness 2mm



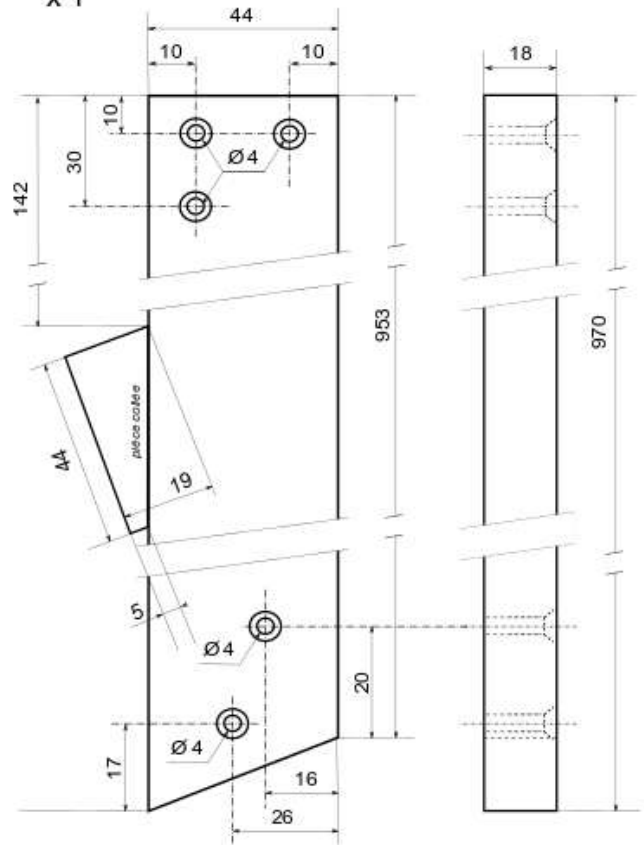
Rear left foot
x 1



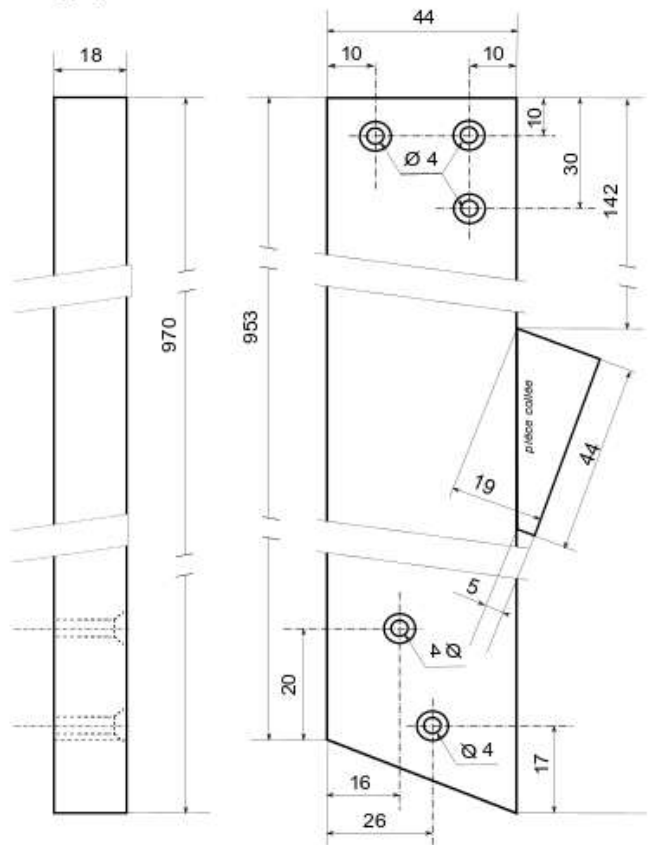
Rear right foot
x 1



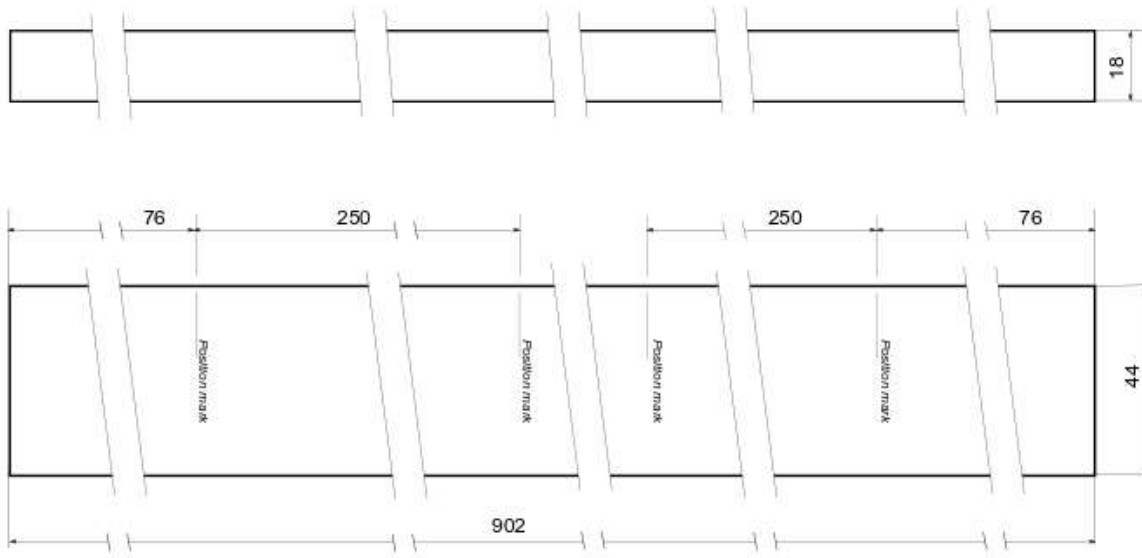
Front right foot
x 1



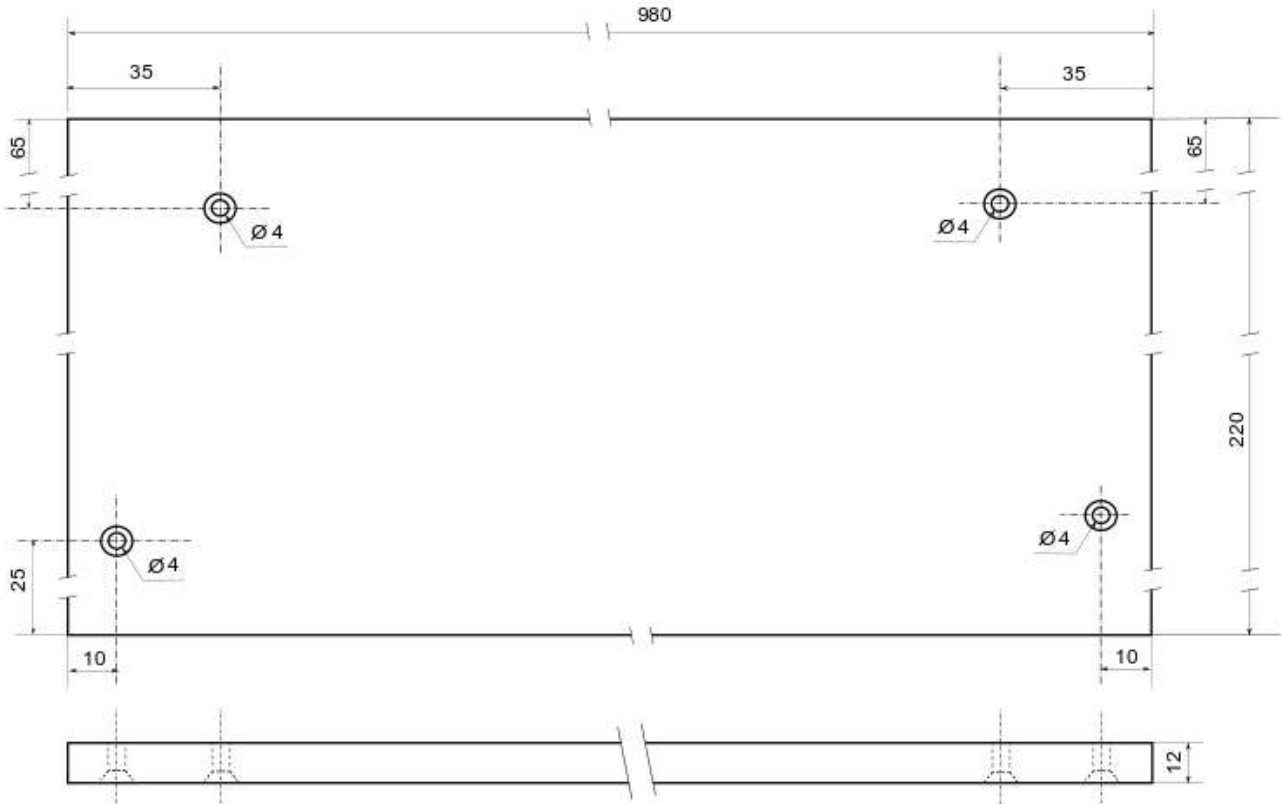
Front left foot
x 1



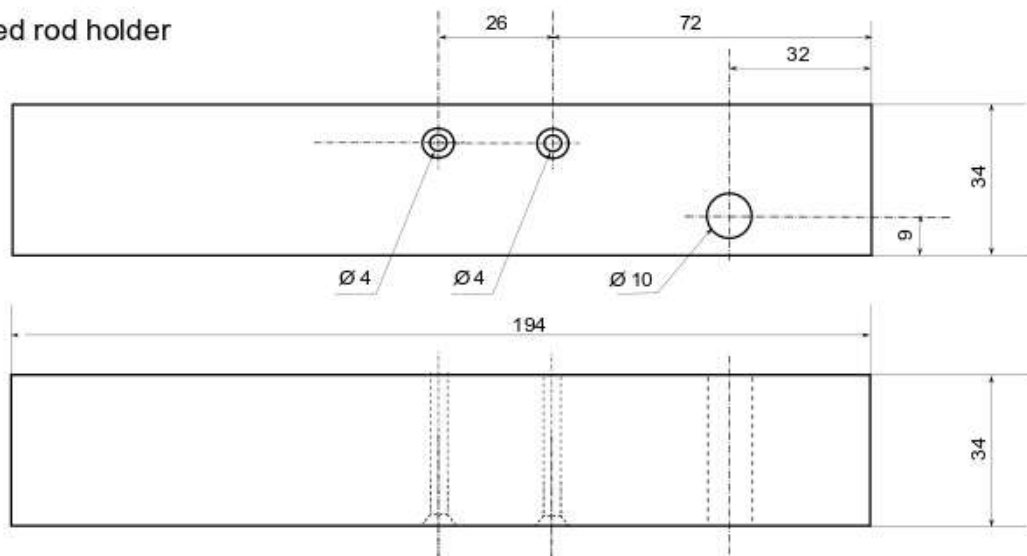
"T" squares guides holder
x 1



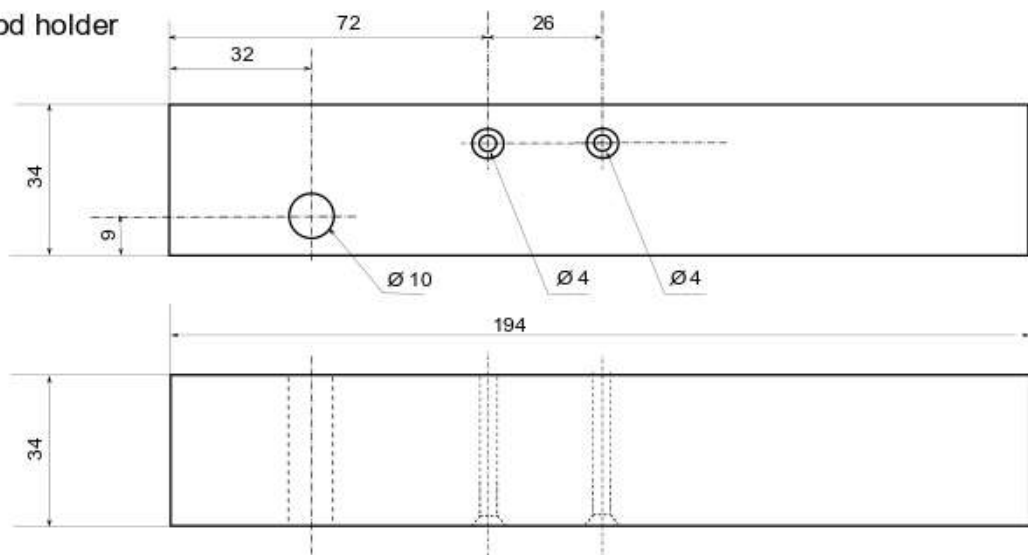
Protection board
x 1



Right threaded rod holder
x 1



Left threaded rod holder
x 1



Other materials

- 1m threaded rod M10
- 4 wing nut M10
- 8 nut M10
- 12 washer 10
- 2 trestle compass
- 4 pulleys with 3 mm grooves
- 50 m nylon rope
- various screws VBA 4 (20mm, 30mm, 50mm)
- 8 pins-clips 8x45